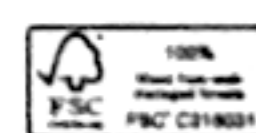
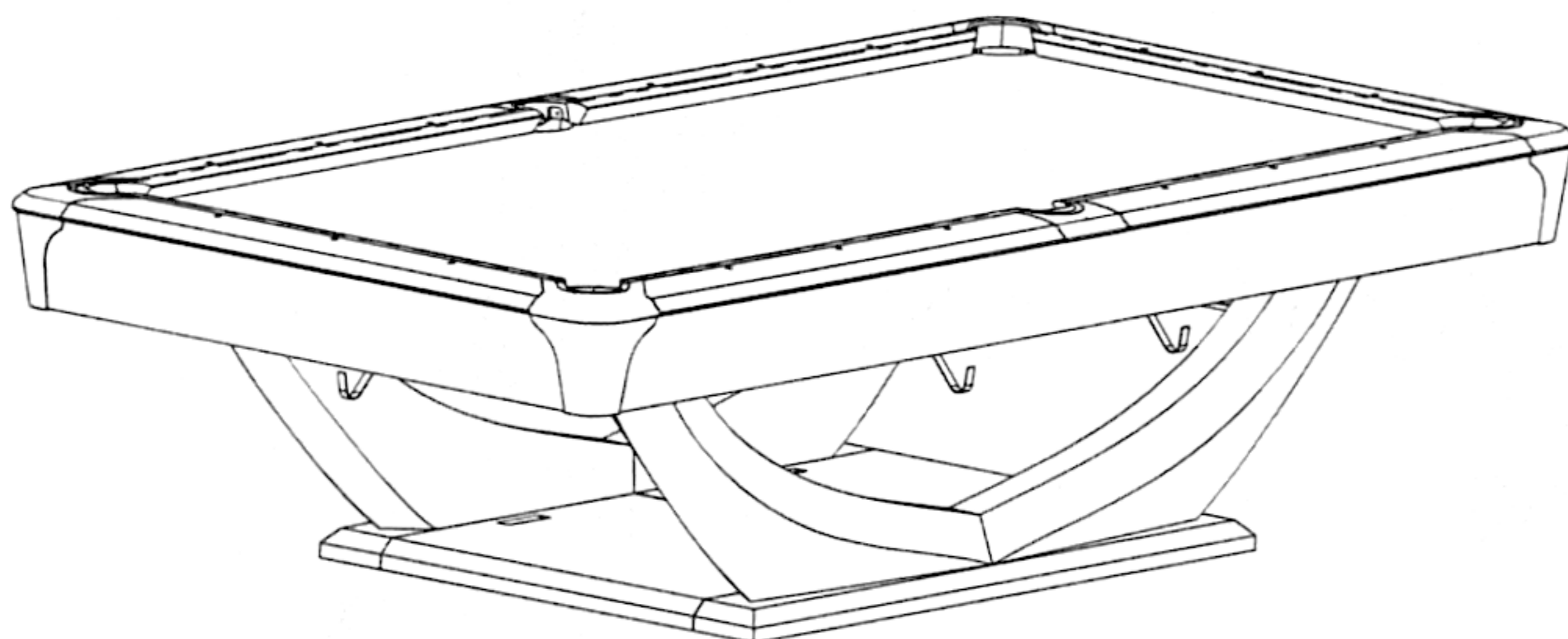


Dynamic Axion



★ PROFESSIONAL EQUIPMENT GERMANY ★

Product Safety Information:

Manufacturer:

Dynamic Billard Organisation GmbH

Konrad-Zuse-Str.15



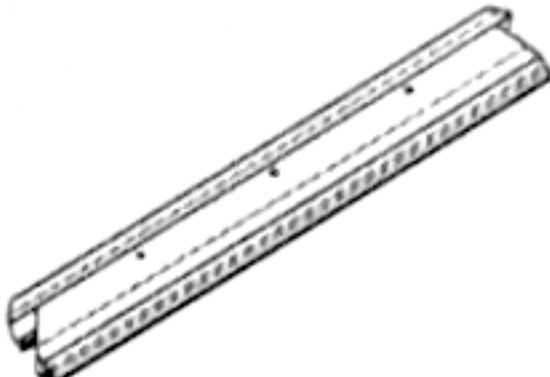

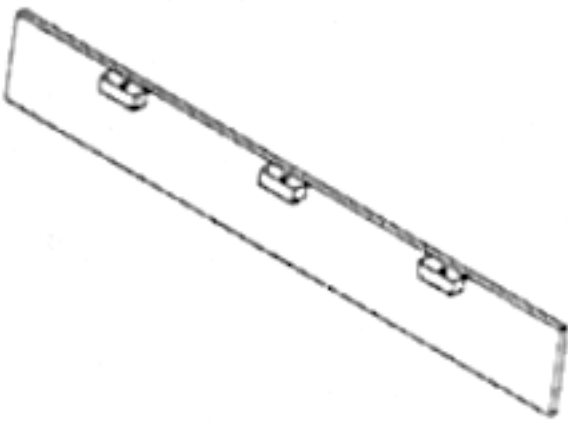
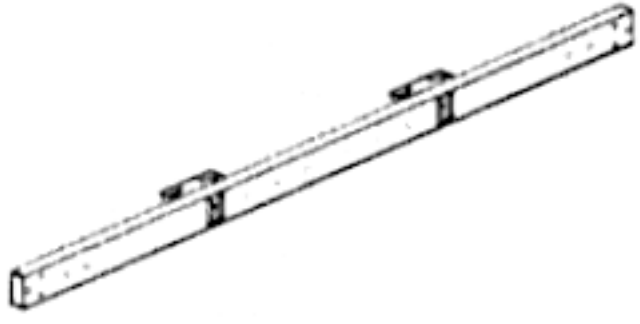
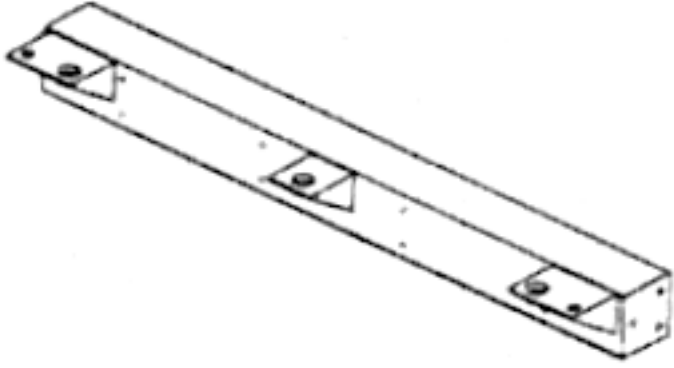
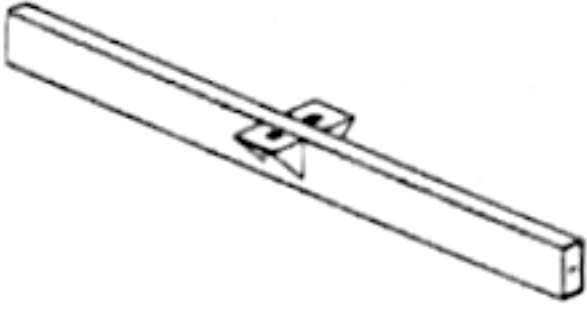

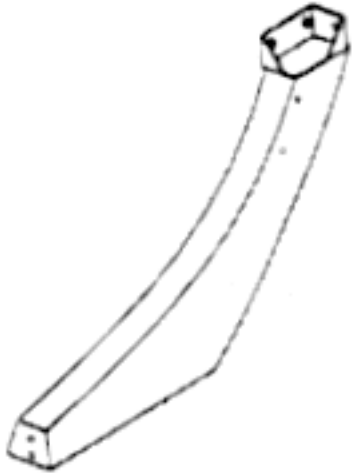


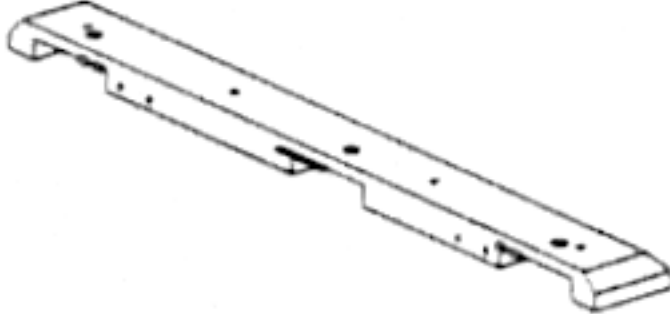
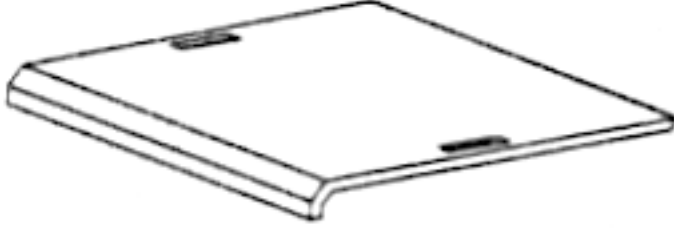






66459 Kirkel-Limbach

Germany

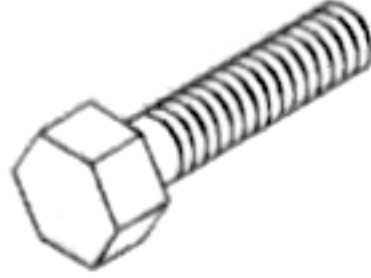
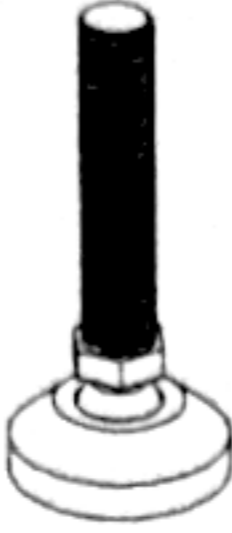


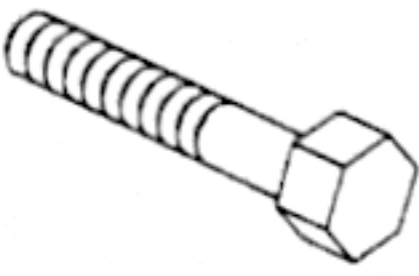


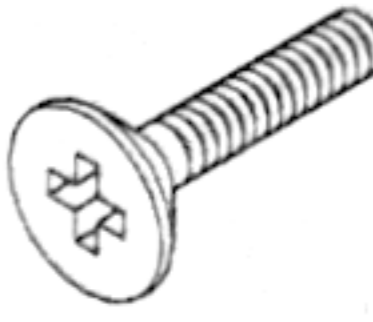

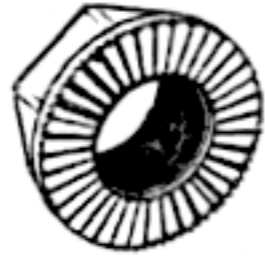

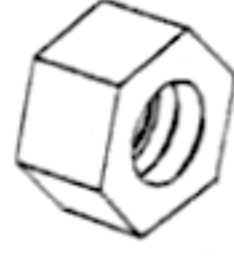



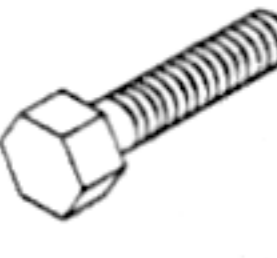
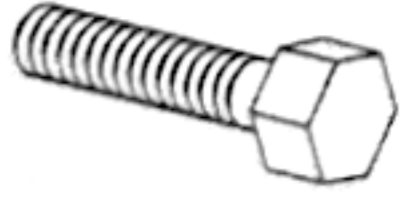

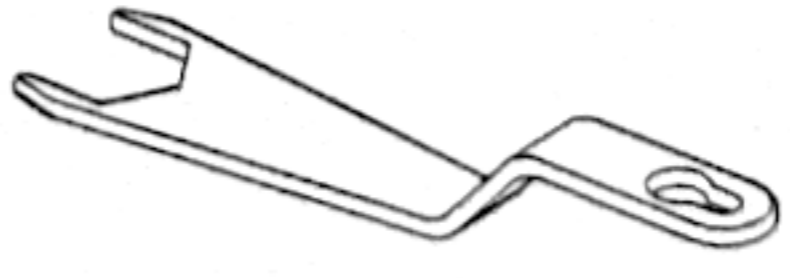
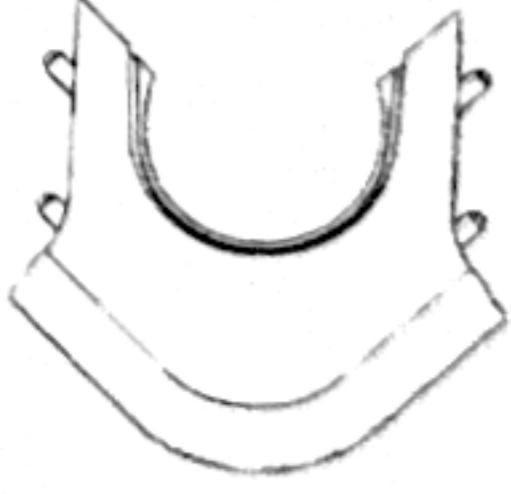
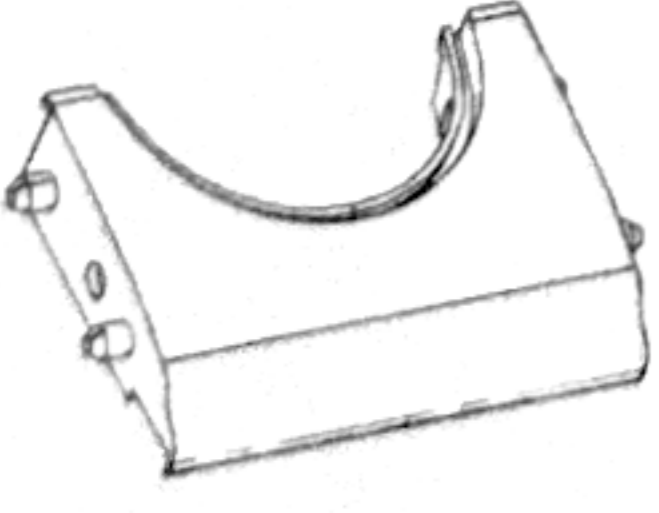








Email: vertrieb@dynamic-billard.de

ITEM NO: 55.205.57.6

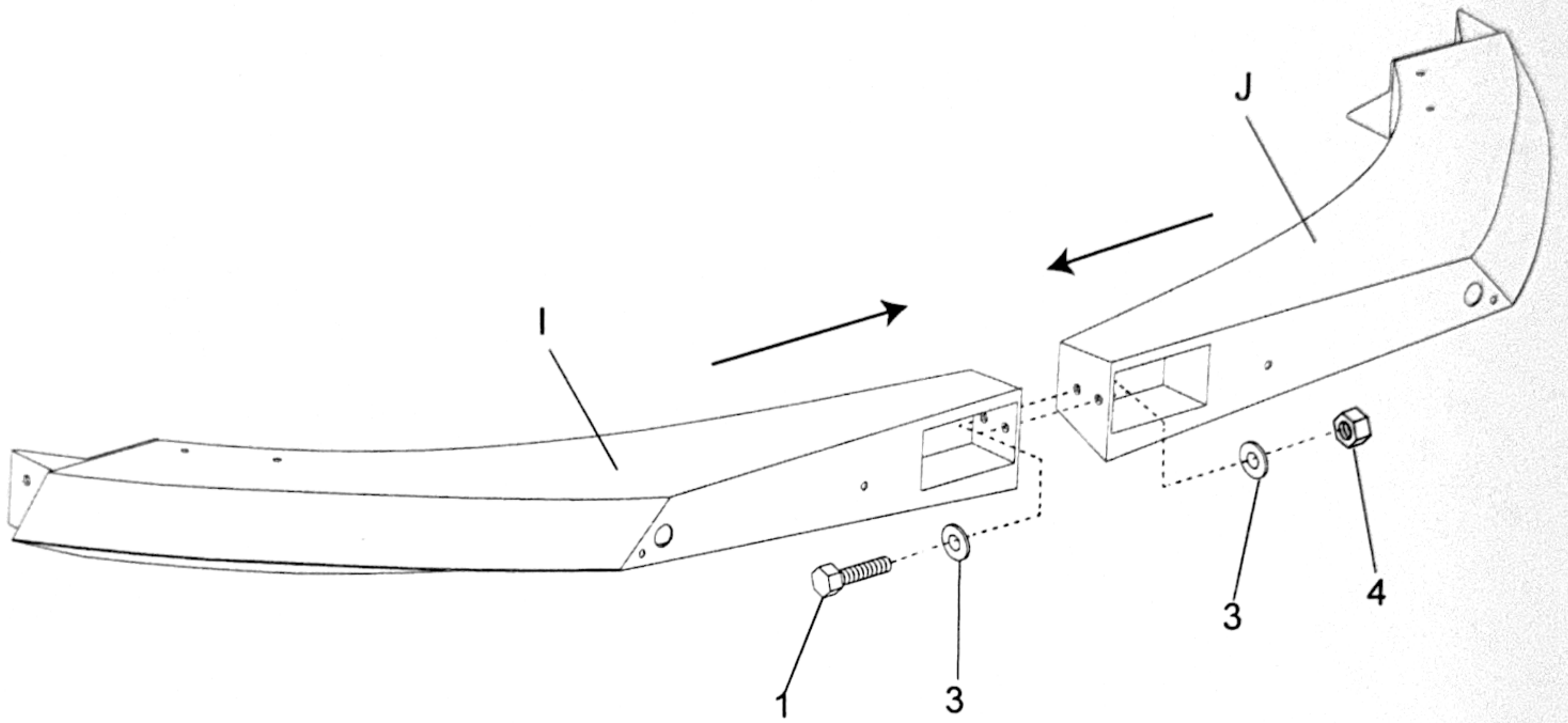
Parts List

<p>A</p>  <p>End Rail 2 pieces</p>	<p>B</p>  <p>Side Rail (A) 2 pieces</p>	<p>C</p>  <p>Side Rail (B) 2 pieces</p>	<p>D</p>  <p>Side Apron 2 pieces</p>
<p>E</p>  <p>End Apron 2 pieces</p>	<p>F</p>  <p>Main Beam 2 pieces</p>	<p>G</p>  <p>End Cross Beam 2 pieces</p>	<p>H</p>  <p>Mid Cross Beam 2 pieces</p>
<p>I</p>  <p>Left leg 2 pieces</p>	<p>J</p>  <p>Right leg 2 pieces</p>	<p>K</p>  <p>Leg End Panel 2 pieces</p>	<p>L</p>  <p>Stretcher For Leg 2 pieces</p>
<p>M</p>  <p>pedestal 2 pieces</p>	<p>N</p>  <p>Foot cover plate 2 pieces</p>	<p>O</p>  <p>Slate 1 set</p>	<p>P</p>  <p>Cloth 1 piece</p>
<p>Q</p>  <p>Basket A 4 pieces</p>	<p>R</p>  <p>Basket B 2 pieces</p>	<p>S</p>  <p>Cue Support 2 pieces</p>	<p>T</p>  <p>Triangle Support 1 piece</p>

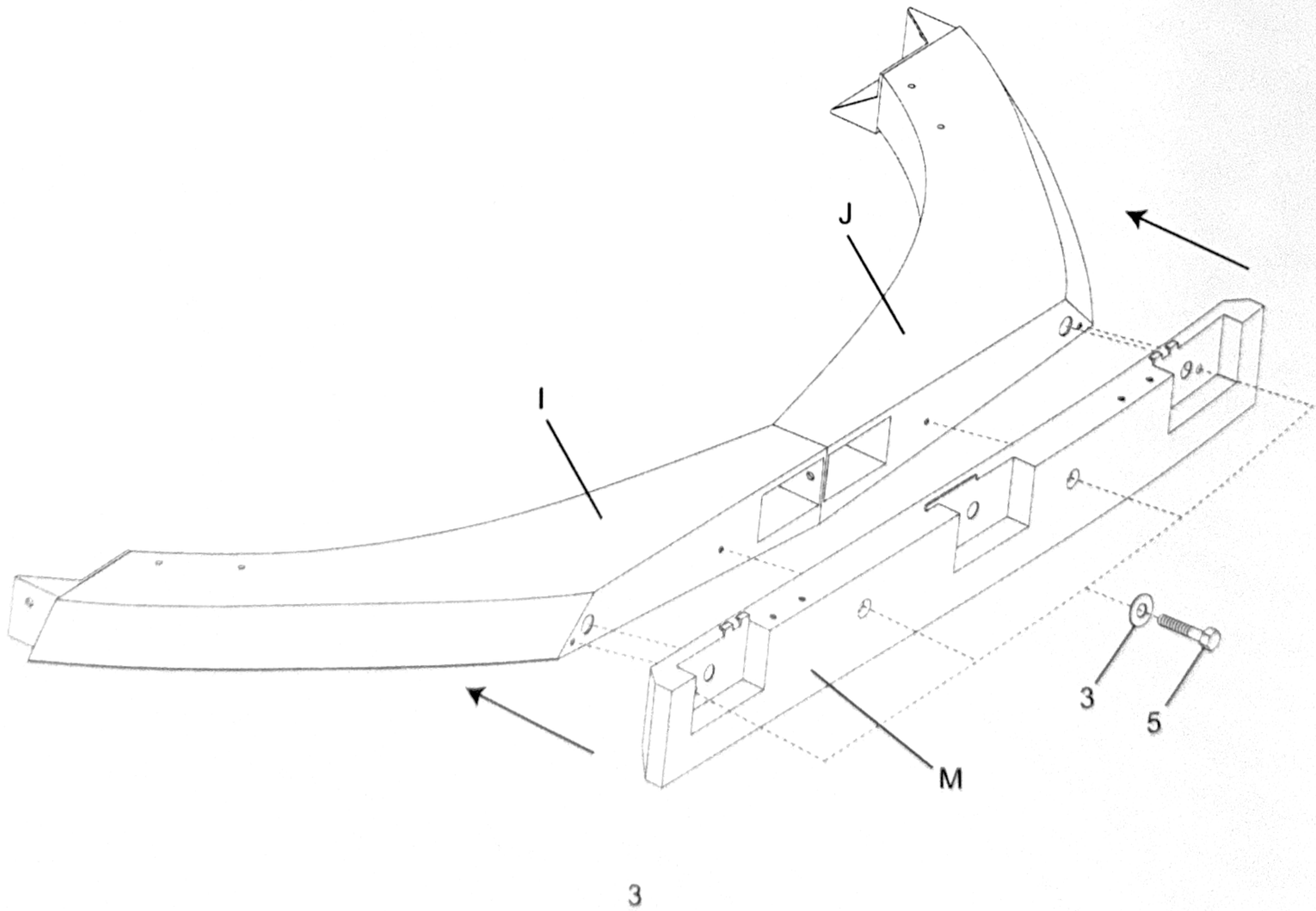
Parts List

<p>#1</p>  <p>M10x30mm Bolt 24 Pieces</p>	<p>#2</p>  <p>Leg Leveler 6 Pieces</p>	<p>#3</p>  <p>10.5x28mm Washer 60 Pieces</p>	<p>#4</p>  <p>M10mm Nut 4 Pieces</p>				
<p>#5</p>  <p>M10x75mm Bolt 32 Pieces</p>	<p>#6</p>  <p>3/16"X5/8" Bolt 12 Pieces</p>	<p>#7</p>  <p>T4x1" Screw 6 Pieces</p>	<p>#8</p>  <p>M6X55mm Bolt 12 Pieces</p>				
<p>#9</p>  <p>5/16"X23mm Washer 30 Pieces</p>	<p>#10</p>  <p>M6 Nut 12 Pieces</p>	<p>#11</p>  <p>Slate Leveler 18 Pieces</p>	<p>#12</p>  <p>3/8" Nut 12 Pieces</p>				
<p>#13</p>  <p>3/8" Washer 12 Pieces</p>	<p>#14</p>  <p>10.5X20mm Washer 12 Pieces</p>	<p>#15</p>  <p>6mm Bolt 16 pieces</p>	<p>#16</p>  <p>5/16"x1-3/4" Bolt 18 Pieces</p>				
<p>#17</p>  <p>M10x50mm Bolt 18 Pieces</p>	<p>#18</p>  <p>3/8"X35mm Washer 18 Pieces</p>	<p>#19</p>  <p>Wrench 1 Piece</p>	<p>#20</p>  <p>End Rail Corner 4 Pieces</p>				
<p>#21</p>  <p>Side Rail Corner 2 Pieces</p>	<p>#22</p>  <p>Apron Corner 4 Pieces</p>	<table border="1" style="width: 100%; border-collapse: collapse;"> <tbody> <tr> <td style="width: 50%; text-align: center;"> <p>#23</p>  <p>12 Pieces</p> </td> <td style="width: 50%; text-align: center;">  <p>8 Pieces</p> </td> </tr> <tr> <td colspan="2" style="text-align: center;"> <p>Slate wedges</p> </td> </tr> </tbody> </table>		<p>#23</p>  <p>12 Pieces</p>	 <p>8 Pieces</p>	<p>Slate wedges</p>	
<p>#23</p>  <p>12 Pieces</p>	 <p>8 Pieces</p>						
<p>Slate wedges</p>							
			<p>#24</p>  <p>Allen Key 1 piece</p>				

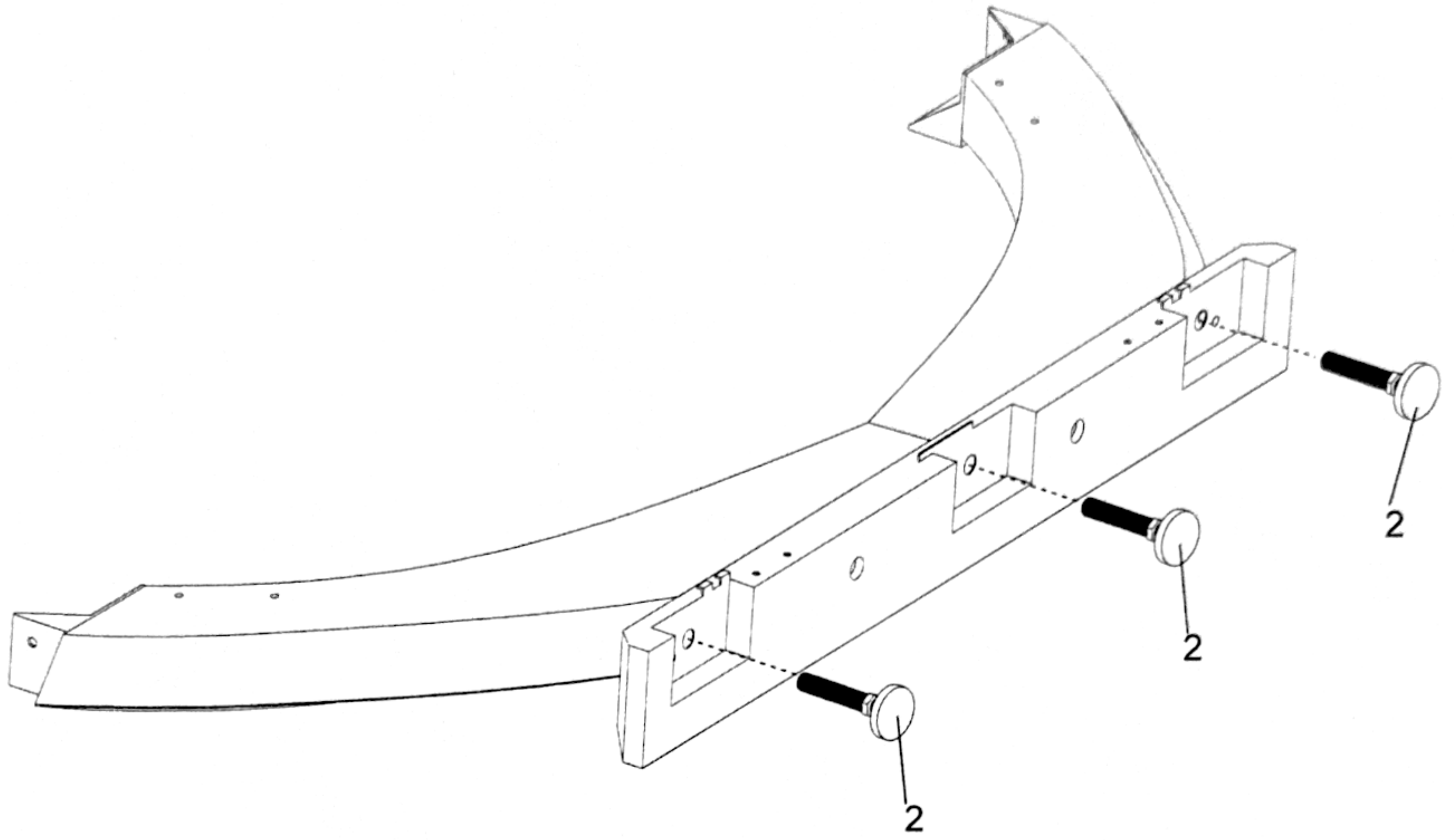
Step 1:



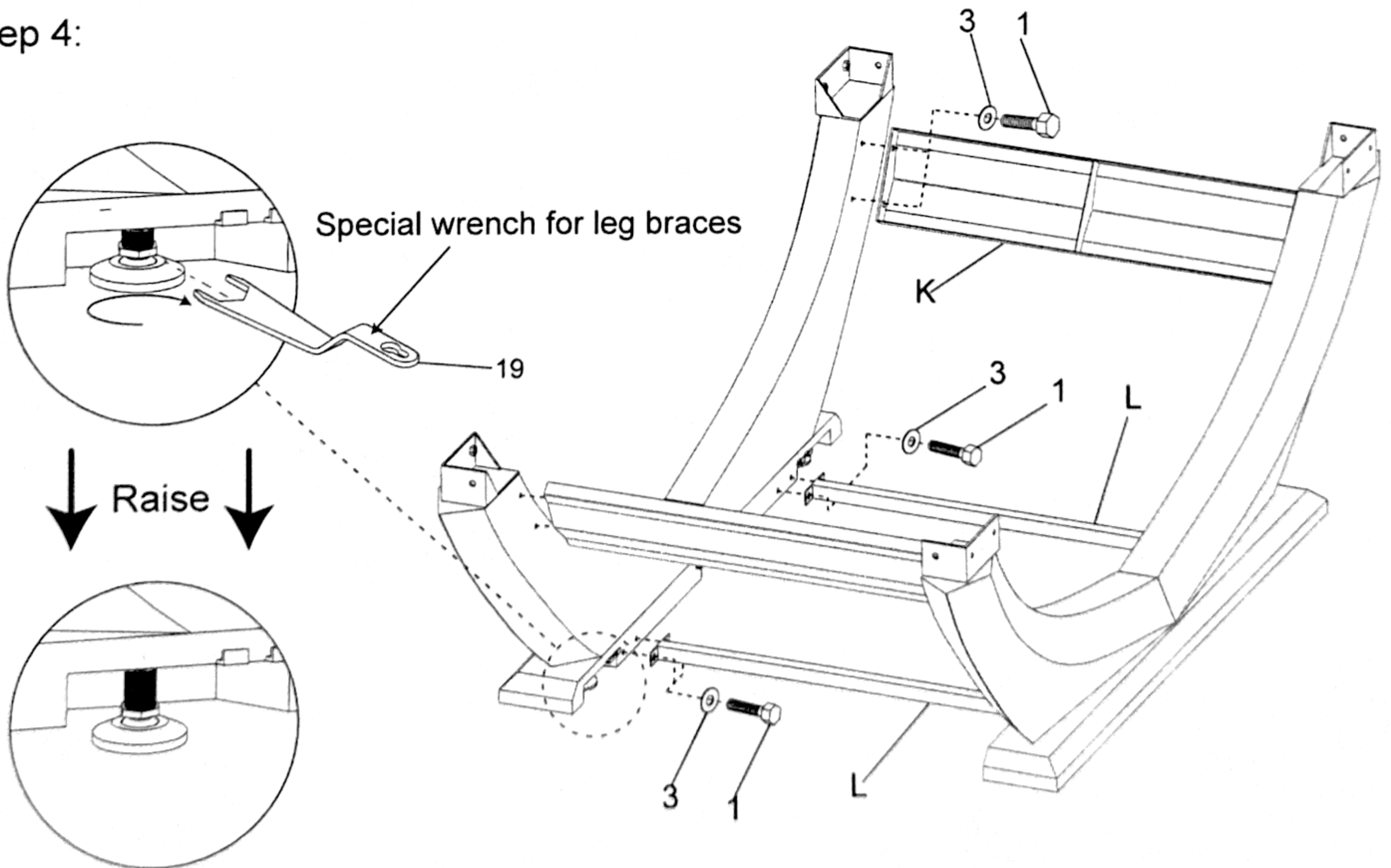
Step 2:



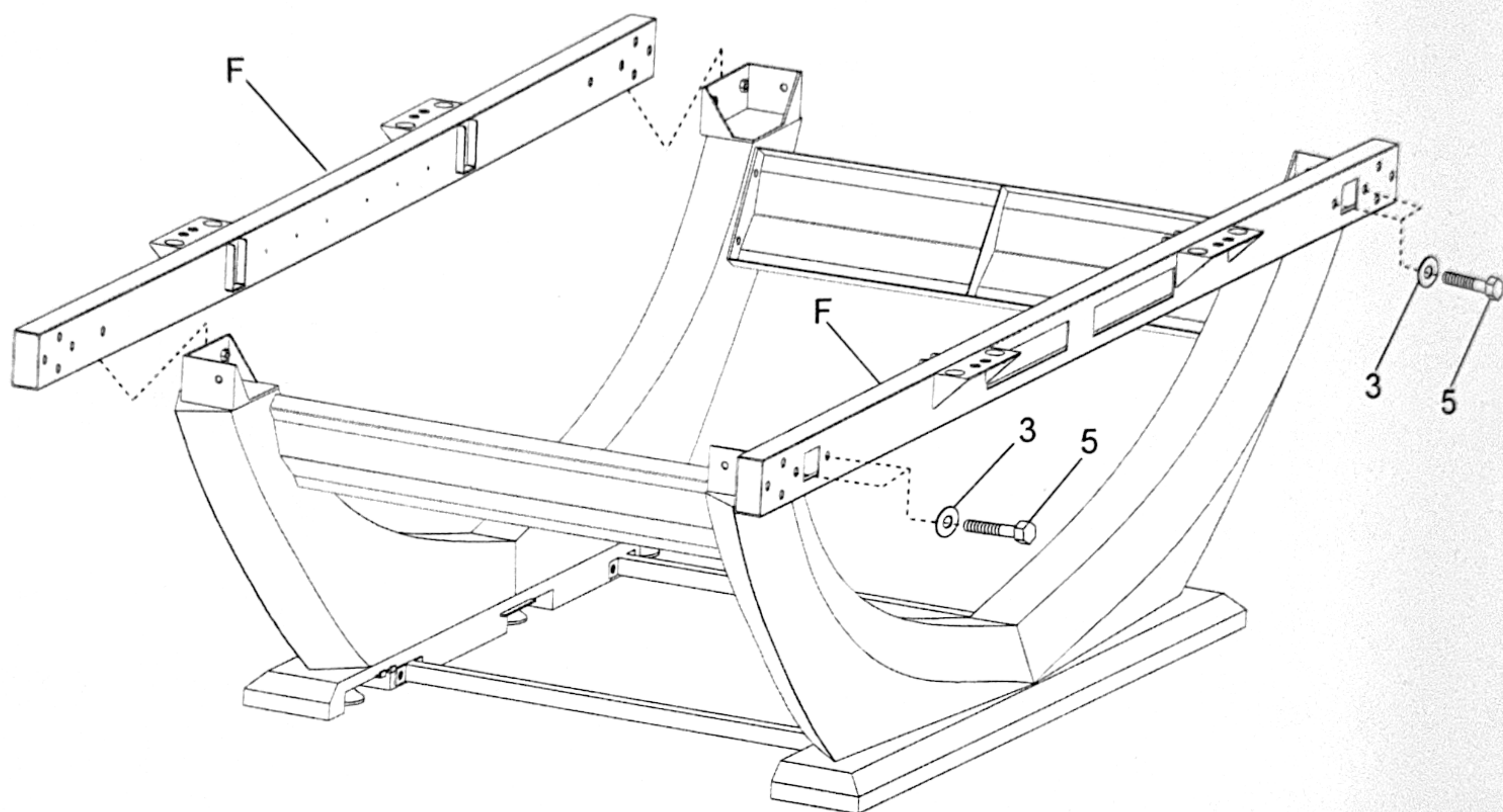
Step 3:



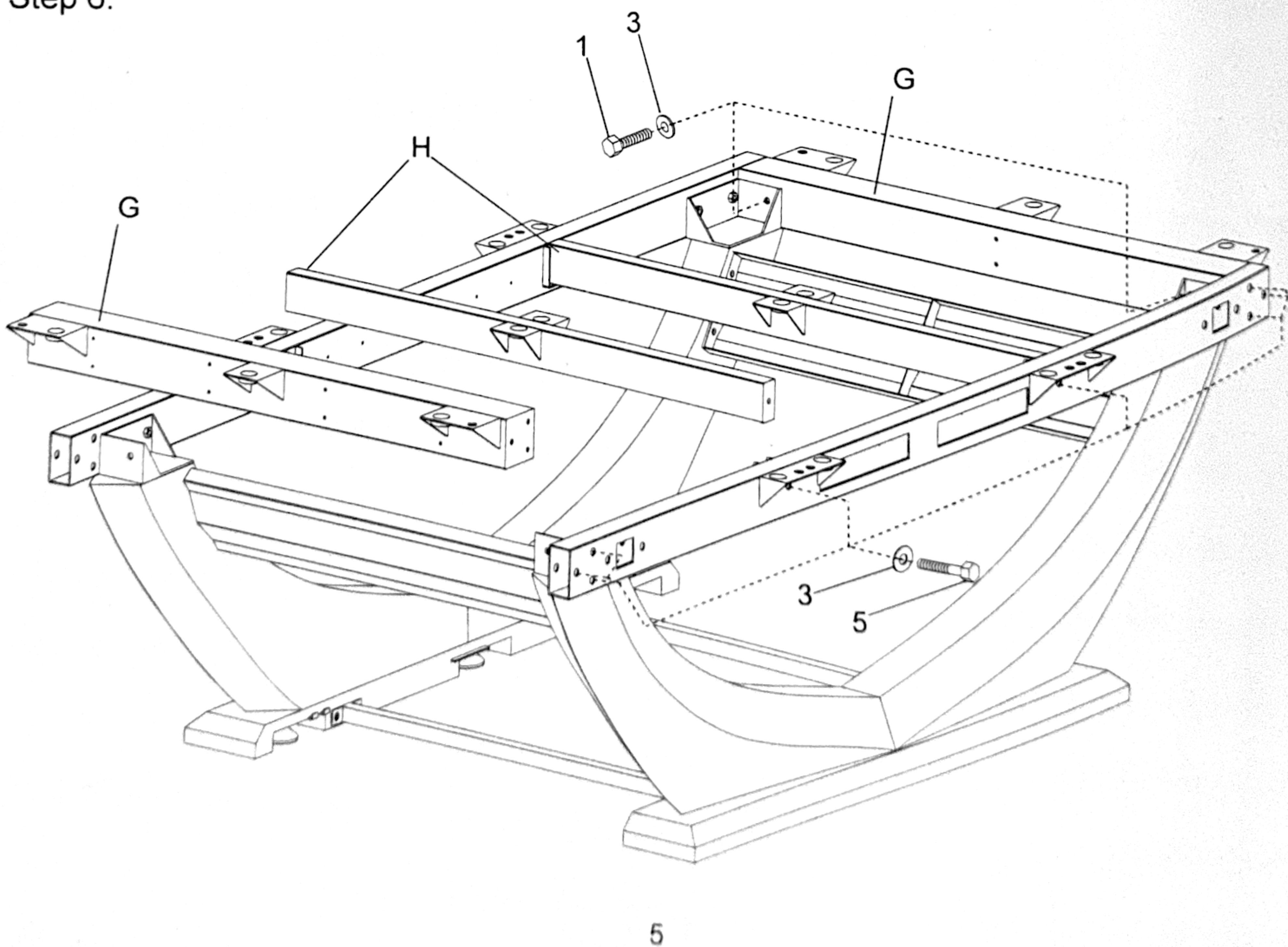
Step 4:



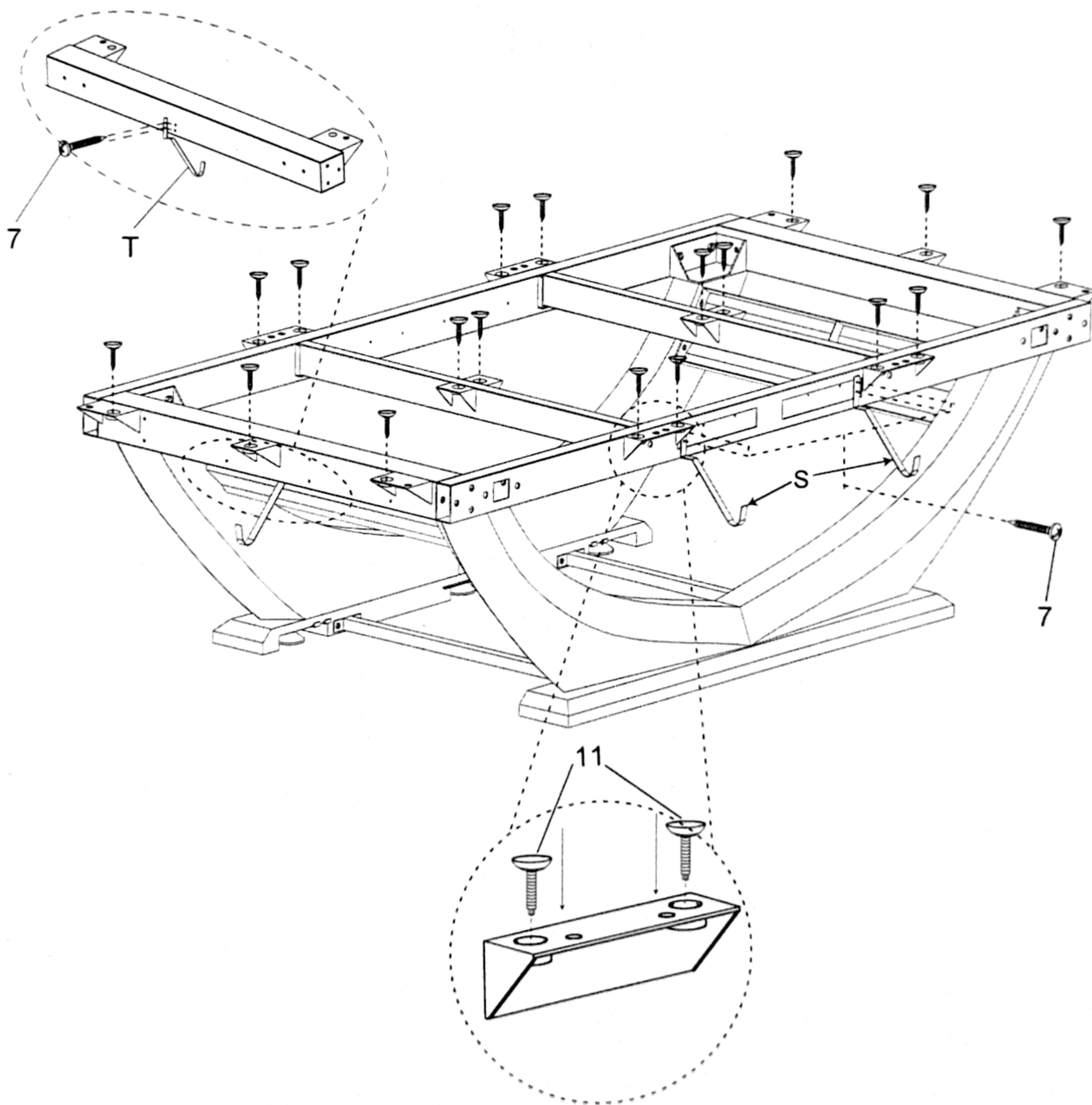
Step 5:



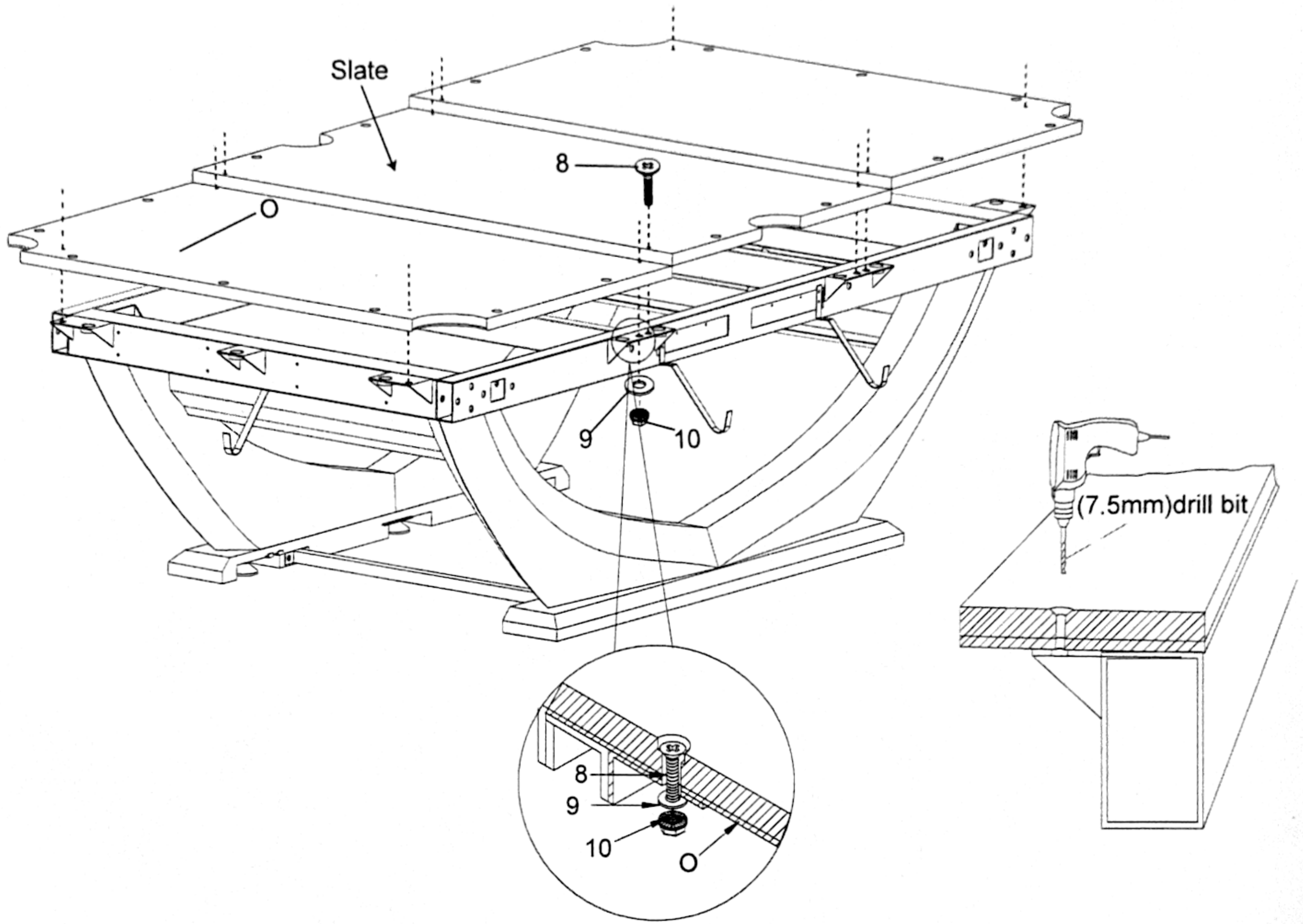
Step 6:



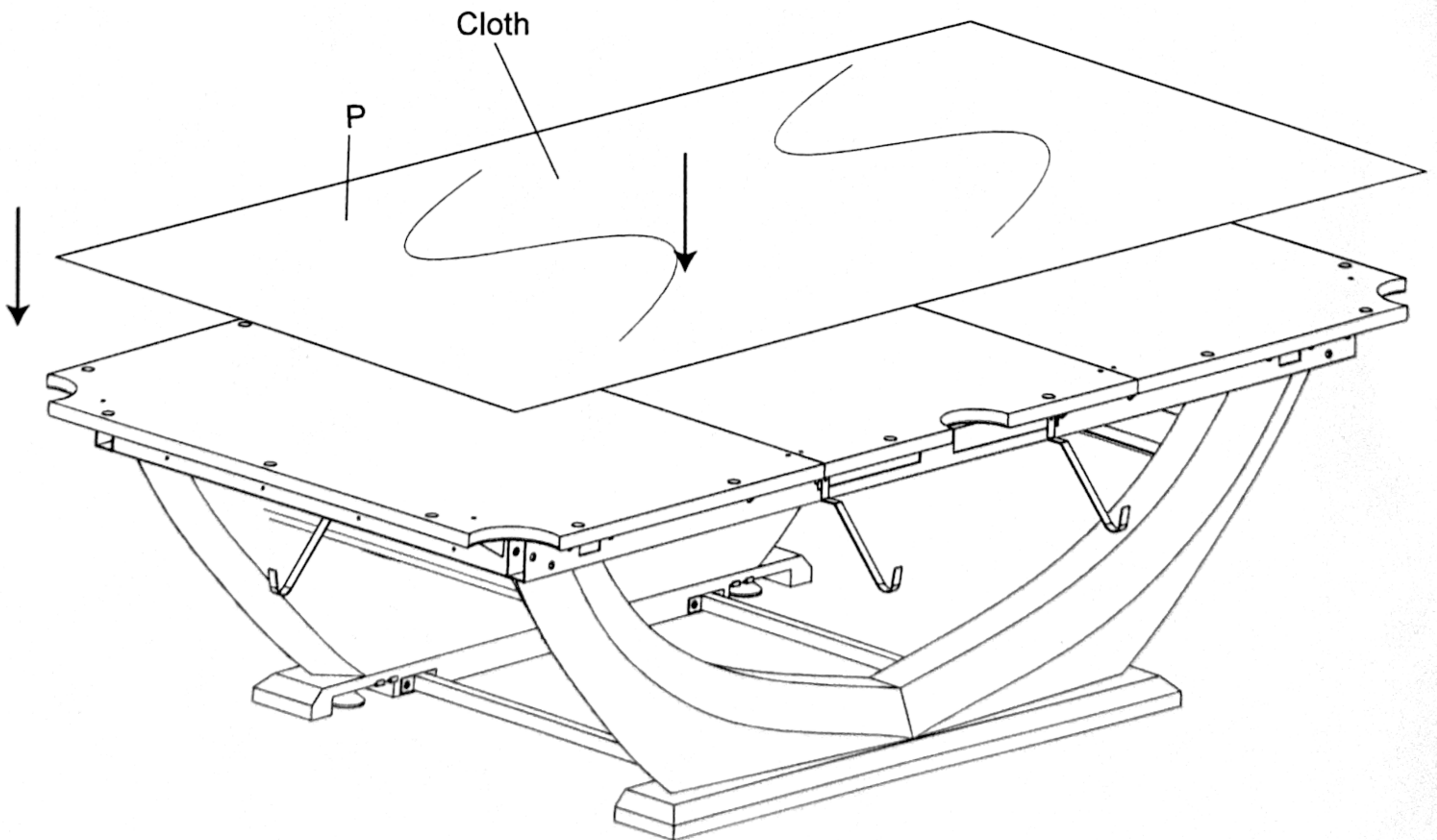
Step 7:



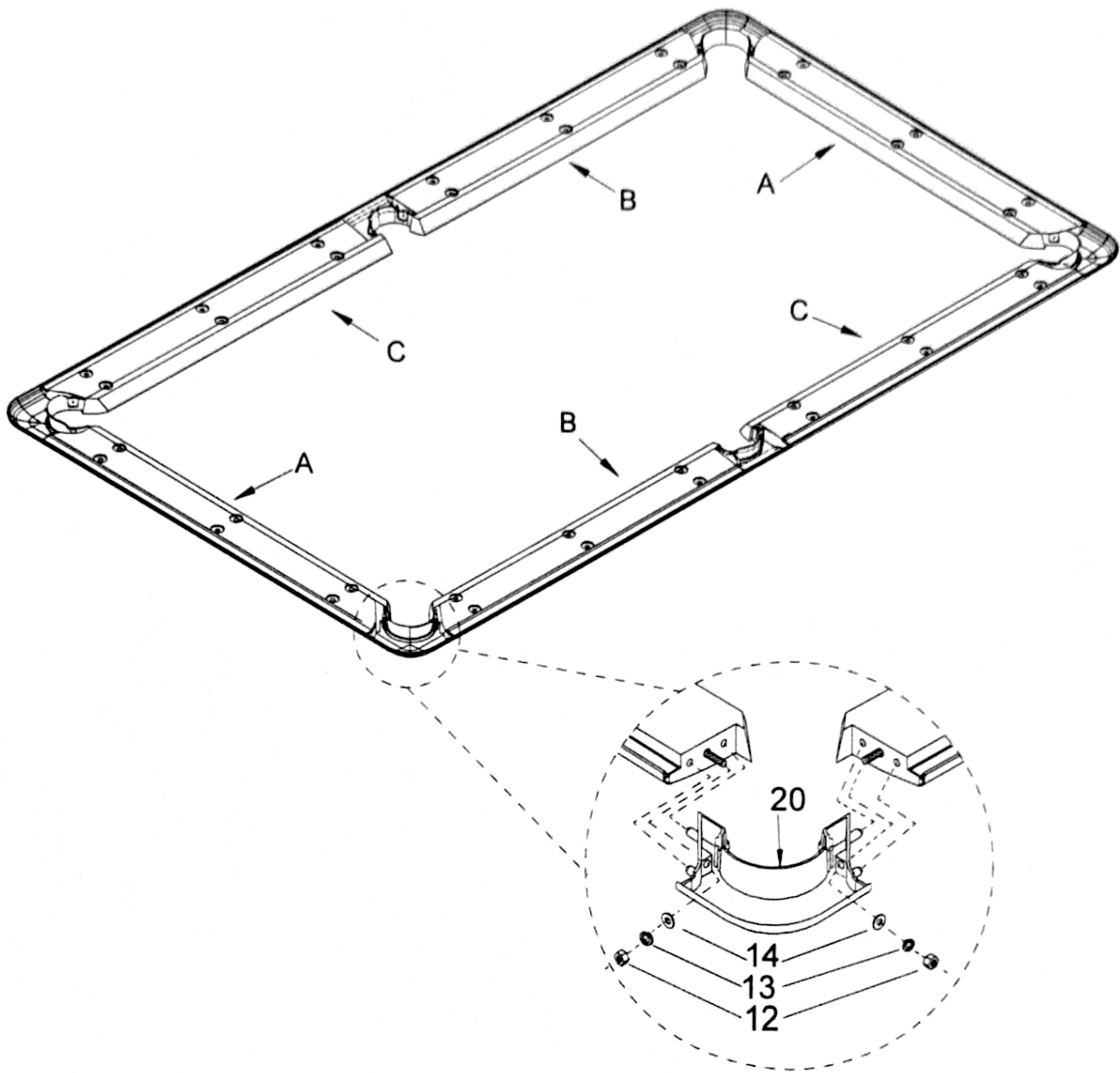
Step 8:



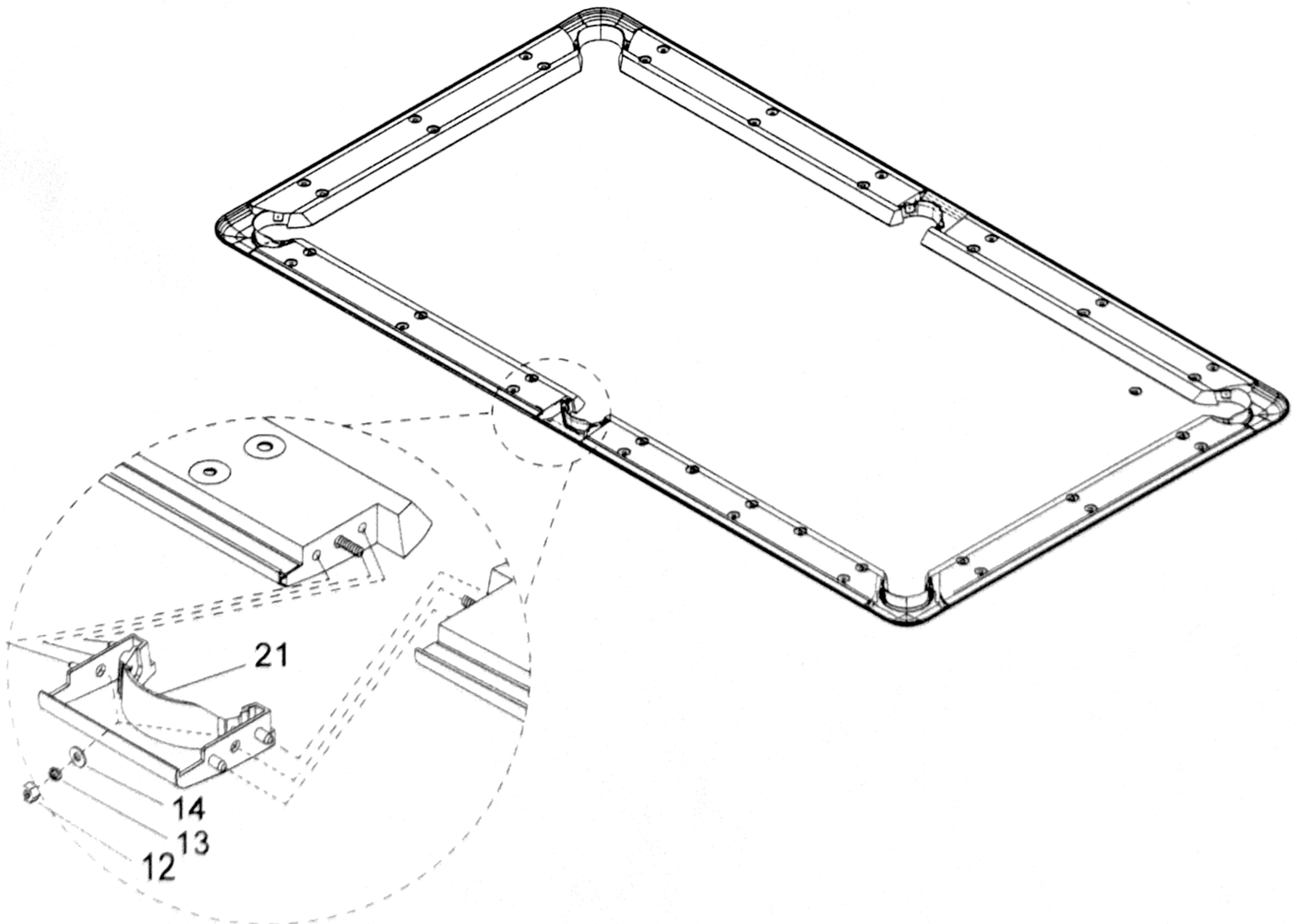
Step 9:



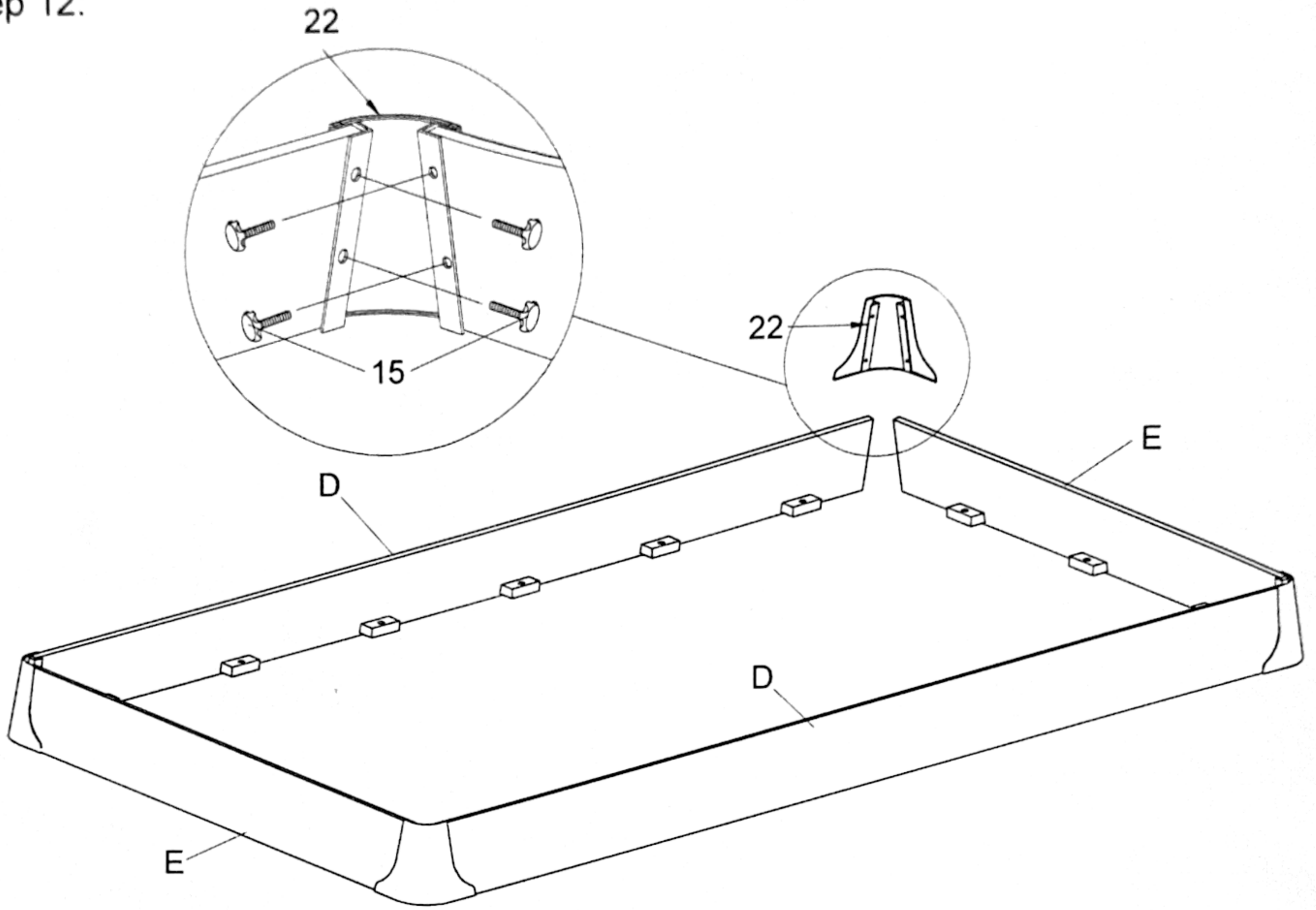
Step 10:



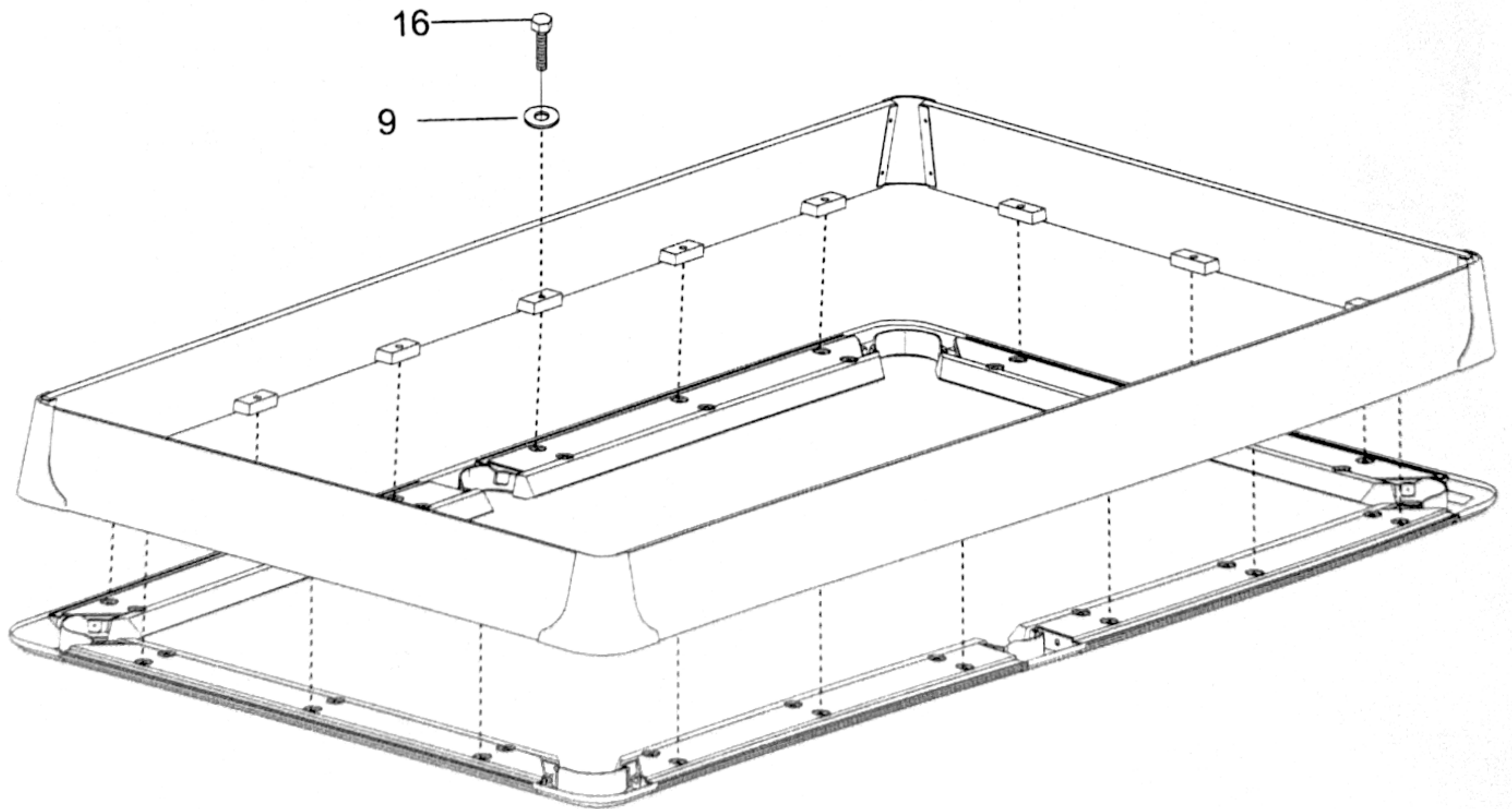
Step 11:



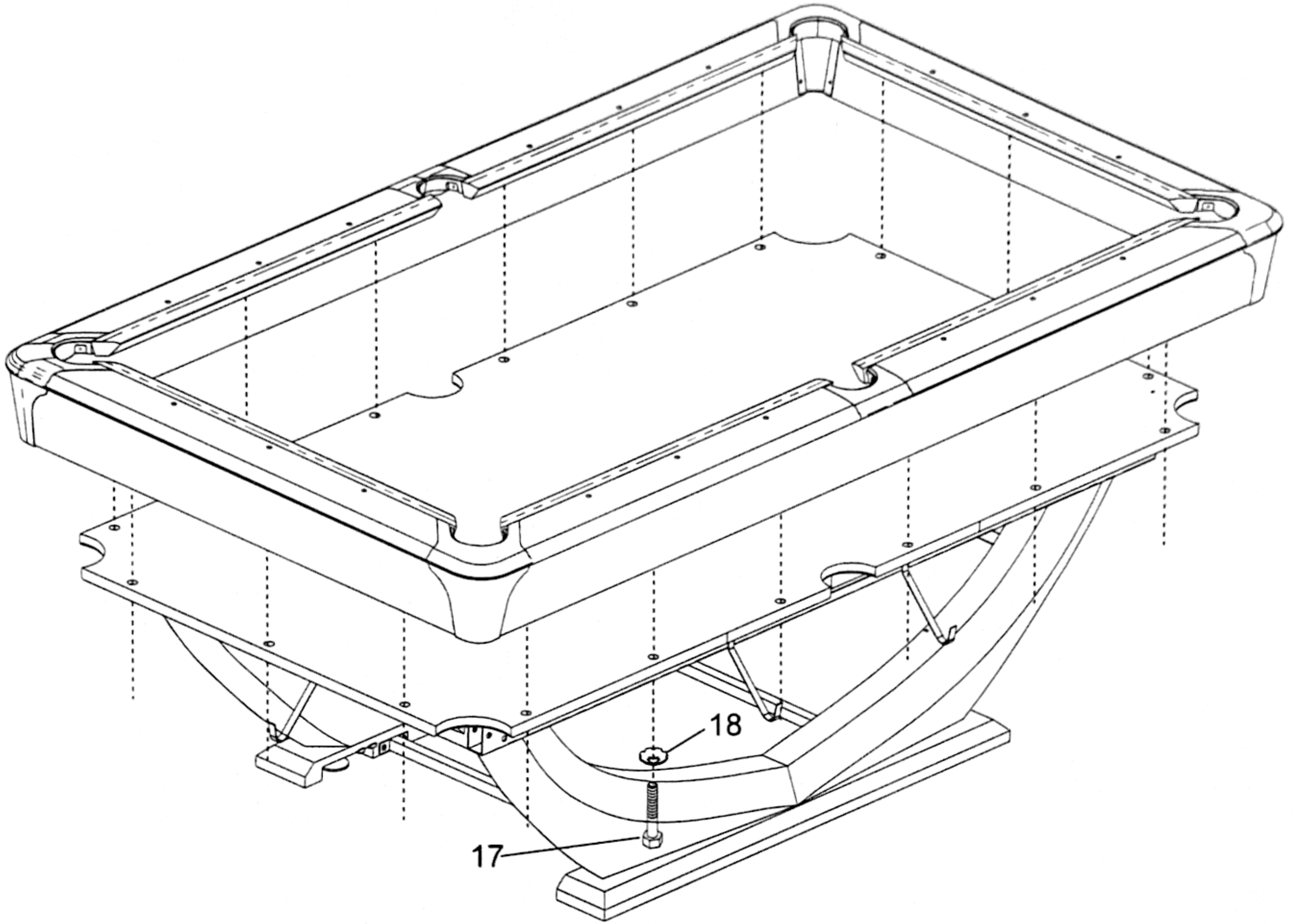
Step 12:



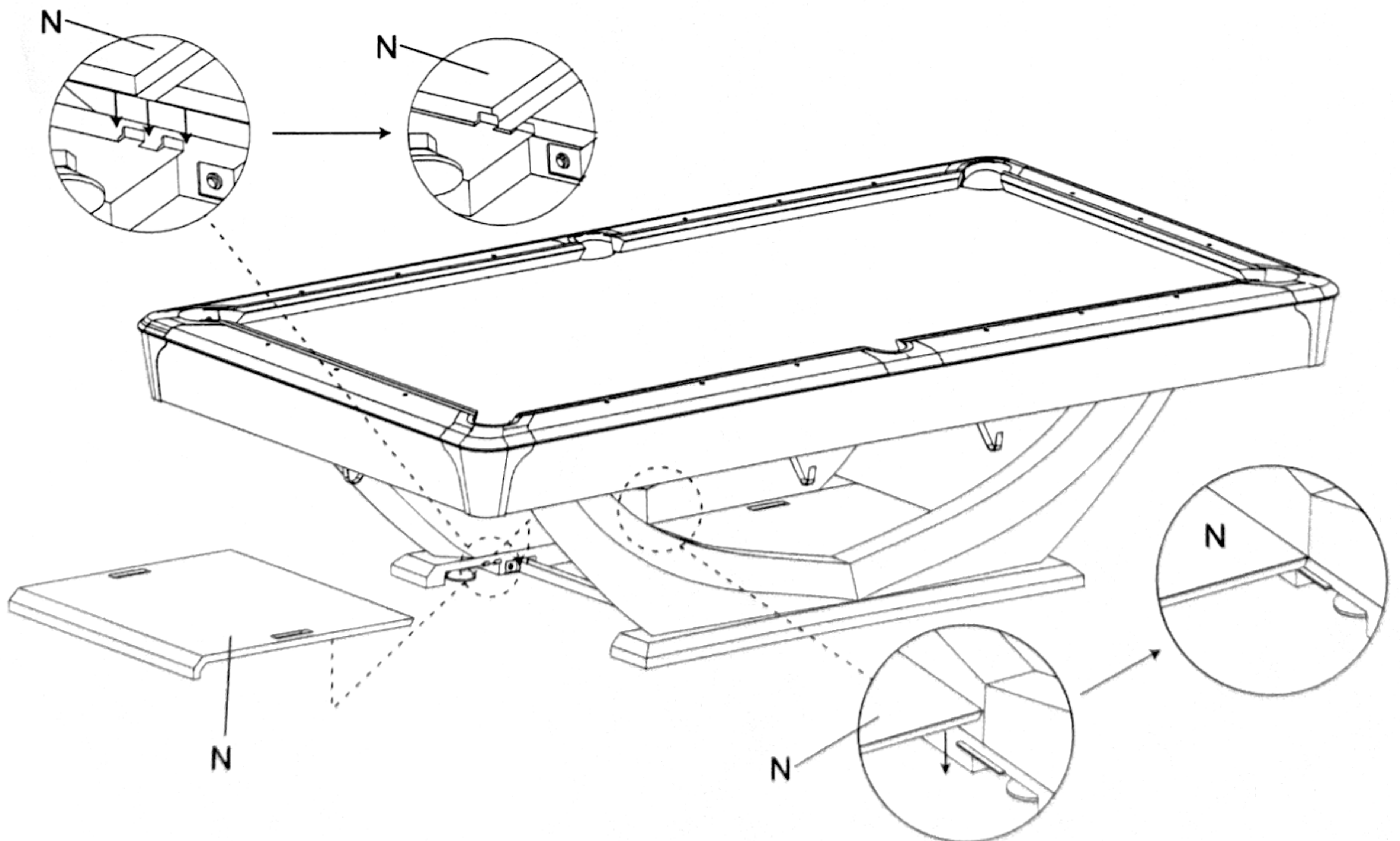
Step 13:



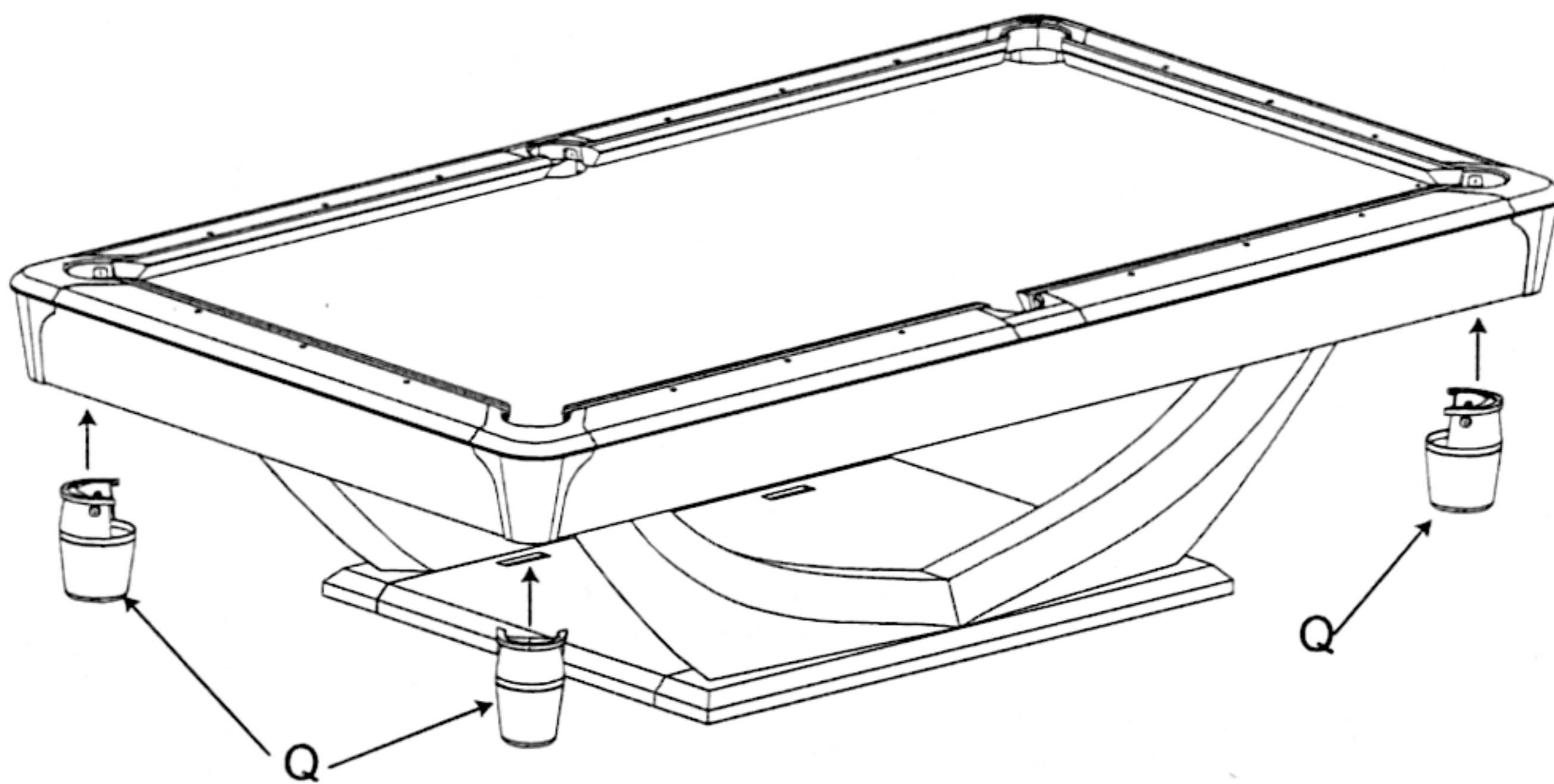
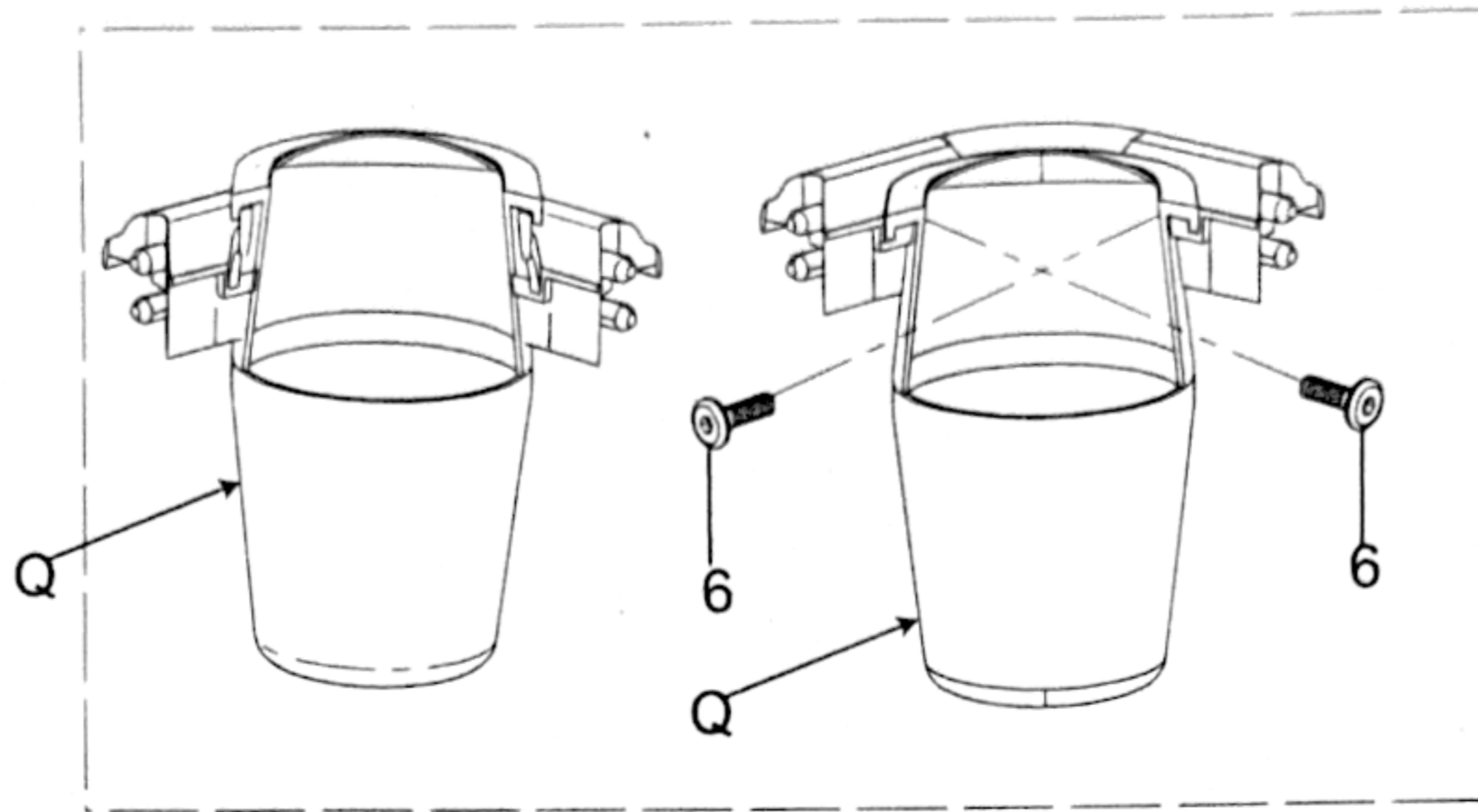
Step 14:



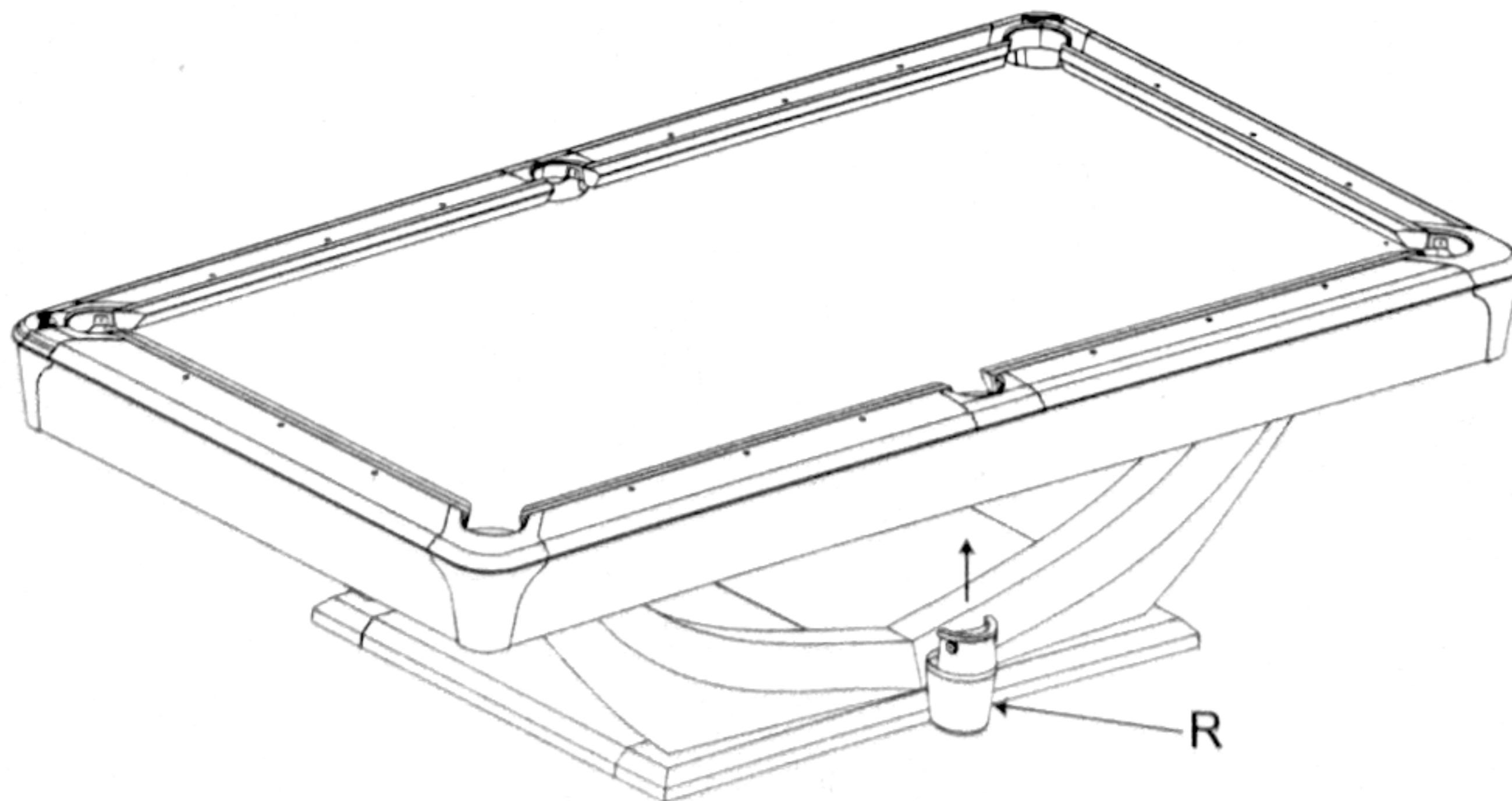
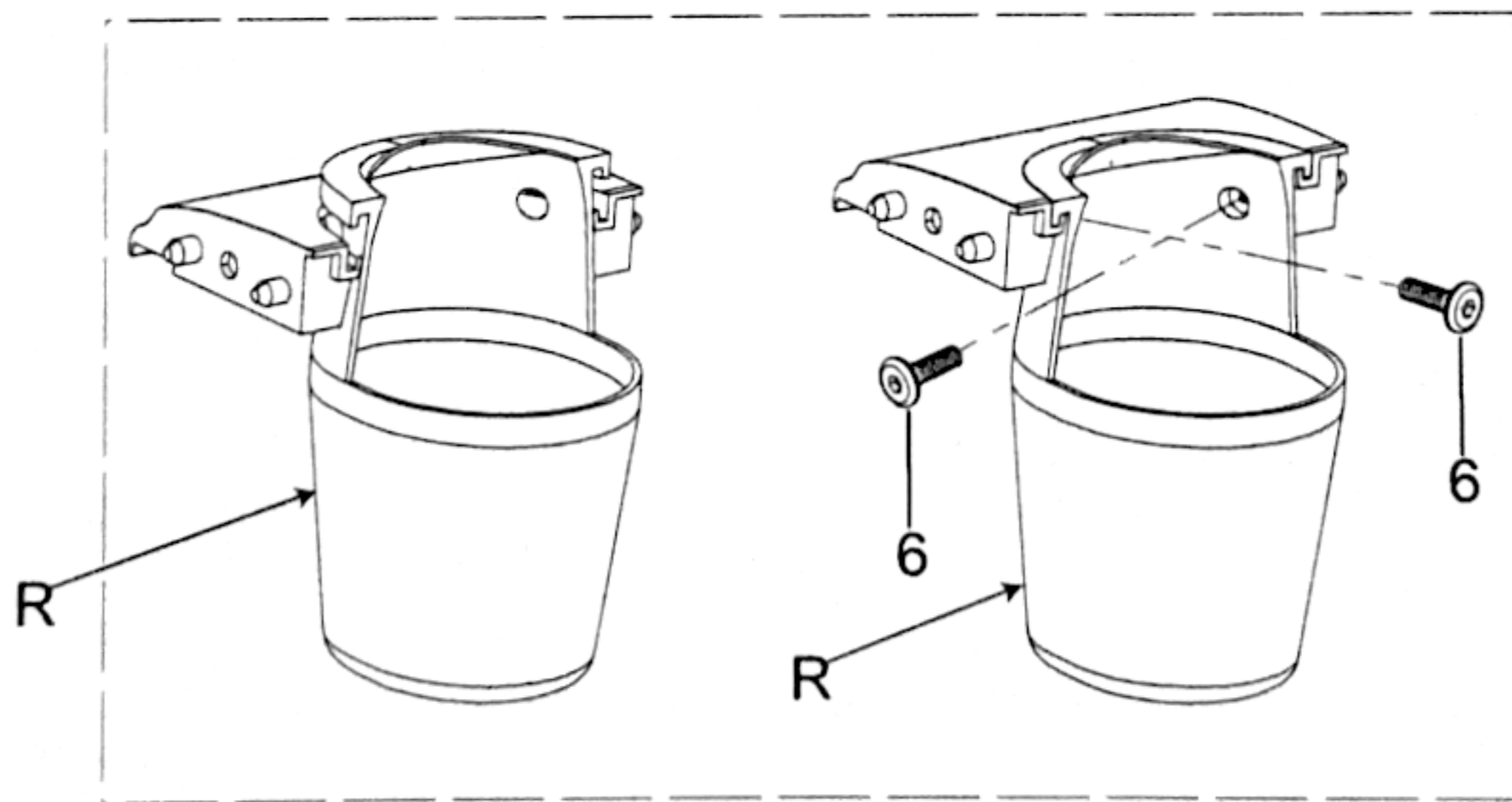
Step 15:



Step 16:



Step 17:



—END